

Madison Fountain Instruction and Care Manual

Please read through all instructions before starting.

Contents:

- Statuary Pump
- Pump fitting (1/2" male NPT x 3/4" barb)
- 3/4" tubing
- 1 screen with hole
- River rocks
- Screen top fitting 3/4" male garden hose x 1/2" male nut
- Screen bottom fitting 1/2" female NPT x 3/4" barb

- Wire hook
- Shut-off nozzle
- 4' garden hose
- Drain cap

TO START

Materials required:

- GFI power outlet or GFI-protected power bar.

Step-By-Step Instructions

1. Open the pump box. Screw the pump fitting into the pump.
2. Place the top fitting through the hole at the top of the screen. Screw the bottom fitting onto the top fitting, so that the two fittings have the screen held in between.
3. Connect one end of the 3/4" tubing to the pump fitting. Connect the other end to the barbed fitting on the underside of the screen.
4. Place the pump into the barrel. Pass the AC cord through the hole in between the 2 overflows.
5. Fill the fountain with water. Only 6" of water is required for the fountain to function. You may need to top up the water periodically.
6. Place the screen at the top of the fountain. Use the 2 screws originally provided with the screen to hold the screen into place.
7. Scatter the river rocks on the screen, around the fountain head.
8. Plug the pump into a GFI-protected power outlet.

TIP

USING THE FOUNTAIN AS A RAIN BARREL

This unit can be used as a rain barrel if you cut your downspout above the screen.

1. Attach the Hook to the Madison Rain Barrel by placing it into the hole on the top edge. Screw the 4' hose into the rain barrel drain fitting.
2. Acquire a hose clamp and a piece of 1.5" tubing (not included- vacuum tubing, pond tubing, or sump pump tubing). Using a pocketknife or hack-saw, open one of the overflows at the back of the rain barrel. Using the clamp, attach the 1.5" inch tubing to the cut overflow. Run the tubing away from your rain barrel to divert the overflow away from the house's foundation.
3. The threaded fitting on the top of the screen fits a standard garden hose. The hose can be used for watering a garden.

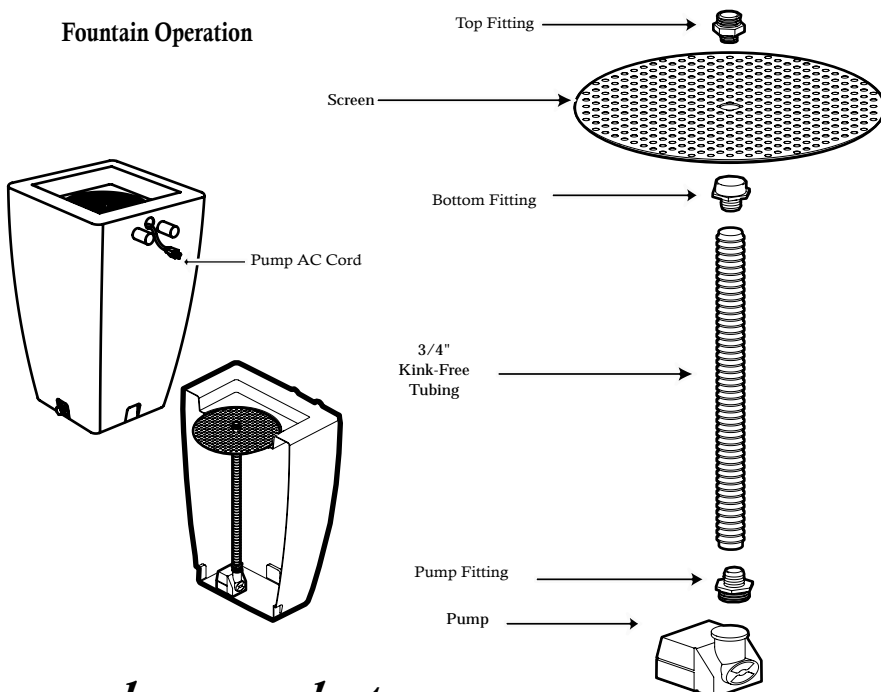
WARRANTY

The Madison Fountain carries a 20 Year Limited Warranty on the Barrel only. All accessories included in with the Madison Fountain are NOT included in the Warranty. The Warranty covers manufacturers' defects only. This Warranty does NOT cover neglect or owner's misuse.

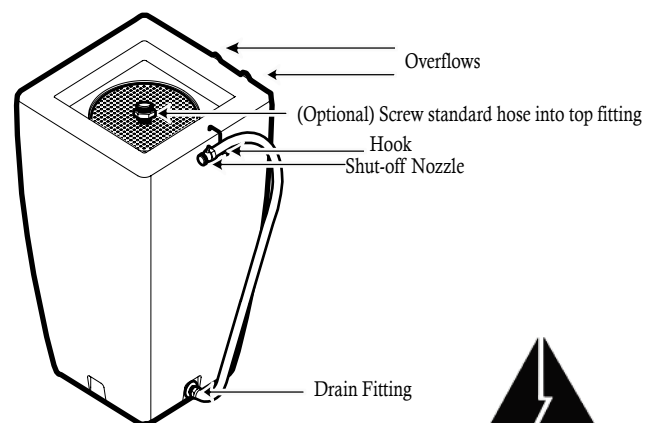
Valid proof of purchase must be presented to make a warranty claim.

The water kept in the Madison Fountain is for gardening purposes only and should not be consumed by humans or animals.

Fountain Operation



Rain Barrel Operation



100 Pinebush Road
Cambridge Ontario Canada
N1R 8J8
www.algreenproducts.com
519-623-7810